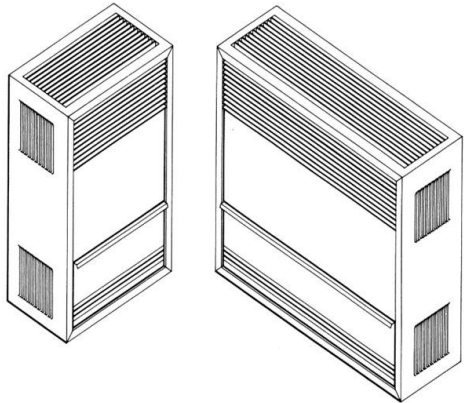


NORTHLAND GAS & HVAC EQUIPMENT, INC.

FEB 2022 PROPANE SPACE HEATER SALE



DIRECT VENT HEATERS

14K BTU

22K BTU

30K BTU

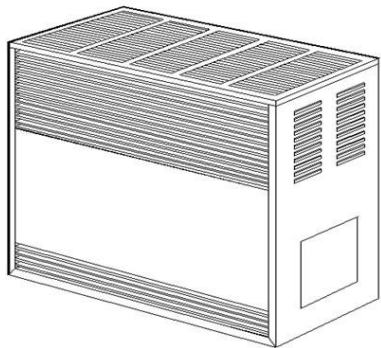
DIRECT VENT COUNTERFLOW

40K BTU

60K BTU



WILLIAMS™



CONSOLE HEATERS

20K BTU

35K BTU

50K BTU

65K BTU

We have good stock!

info@northlandgas.com * www.northlandgas.com * 877-755-3065